

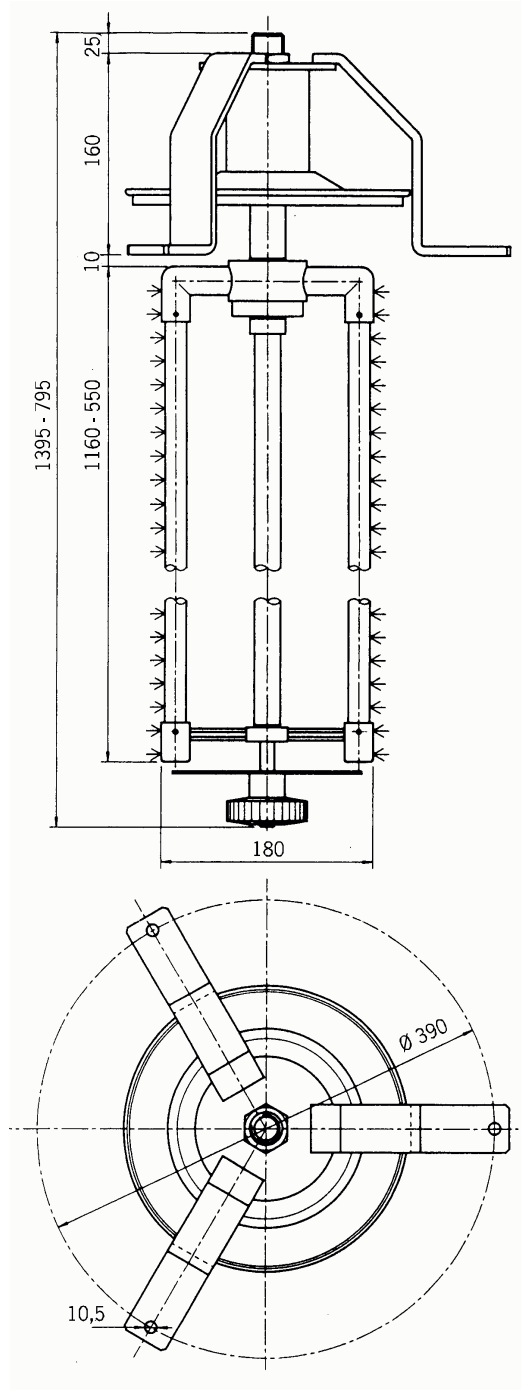
Rotary Jet System for Cleaning of Filter Cartridges with an outer diameter of 327 mm

The ROG 600 F-PL and ROG 1200 F-PL rotary jet system ensures effective cleaning of filter cartridges with a diameter of 327 mm, with a height of 602 mm and 1202 mm, particularly for cartridges with tight pleat spacings.

- Good operational life and reliability:
The jet wing is mounted on sealed-for-life ball bearings.
- Distribution chamber, interior support and clean-gas-side shut-off disk are manufactured from thermo-plastic resin with glass fiber reinforcement.
- Precision manufactured for smooth operation.
- Simulates off-line cleaning, utilizing a compressed-air-operated, clean-gas-side shut-off disk.
- No additional fixings are needed for installation of the cartridge.

Connection data	ROG 600 F-PL	ROG 1200 F-PL
Operating pressure	2.5 – 3.5 bar	3 – 4 bar
Solenoid valve + air feed line	3/4"	1"
Pulse time	0.8 – 1 sec	1 – 1.5 sec
Air consumption per pulse	160 normal liters	250 normal liters

The figures given here are mean values subject to tolerances entailed by the customary production fluctuations. Our explicit written confirmation is always required for the correctness and applicability of the particulars involved in any particular case. All preceding versions are hereby rendered invalid.



viledon®